



The new networking GO Rack

Making IT deployments simple,
affordable and more reliable.



se.com

Life Is On

Schneider
Electric

Introducing GO-series Rack

As businesses and organizations continue to rely on digital platforms and data-driven operations, the demand for efficient and effective networking solutions becomes the key challenge for various segments like commercial offices, retail, BFSI, transportation, healthcare, and government etc. Schneider Electric, as a global leader in providing cutting-edge data center solutions, has introduced the all-new Networking GO-series rack, built with essential features and versatile range to meet the diverse demands of networking, AV and LAN/WAN applications.



Variety

- Covered different U heights (18U, 24U, 36U, 42U) to meet various needs
- Provide both perforated door and glass door versions to meet different application scenarios in versatile markets
- More flexible to meet local market's demands, provide both assembled version and flatpack (coming soon) version to freely choose
- Flatpack option (coming soon) and easy to assemble at site or warehouse



Reliability

- Provide a long 5-year warranty to solve customer's future concerns about after-sale service
- Environmental friendliness with available RoHS and REACH.
- Optimised for IT server, network & AV applications
- Conform to IP20 rating



Compatibility

- Compatible with Schneider Electric's vertical PDU, inside which is equipped with related brackets
- Equipped with 2 pairs of mounting rails, easy to be adjustable with tools
- Vertical cable management is compatible with APC PDU mounting



GO Rack key features

Designed with precision in mind, the networking GO-series rack offers range of key functions to enable businesses to deploy & manage their networks seamlessly.

- Static load capacity of 600kg; Dynamic load capacity of 360kg(including the weight of rack)
- Conforms to DIN 41494 and EIA 310-D standards
- Cover 18U, 24U, 36U & 42U
- Conform to IP20 rating

1 Fan modules on top for air circulation

- 4-fan module design provision to enhance air circulation
- Optional on/off-switched or thermostatic-controlled fan models, free to choose as per need



2 Cable access through roof and bottom

- Large openings for superior cable entry provisions
- Includes removable panel for ease of installation



3 Adjustable vertical mounting rails

- Two brackets make the compatibility with Vertical PDU feasible
- Zero U PDU mounting provision
- Fully recessible 19" mounting angles with U marking



4 Door options as per specific needs

- Perforated doors for enhanced airflows and Glass door for passive networking application
- Mechanical swing handle lock & key for security

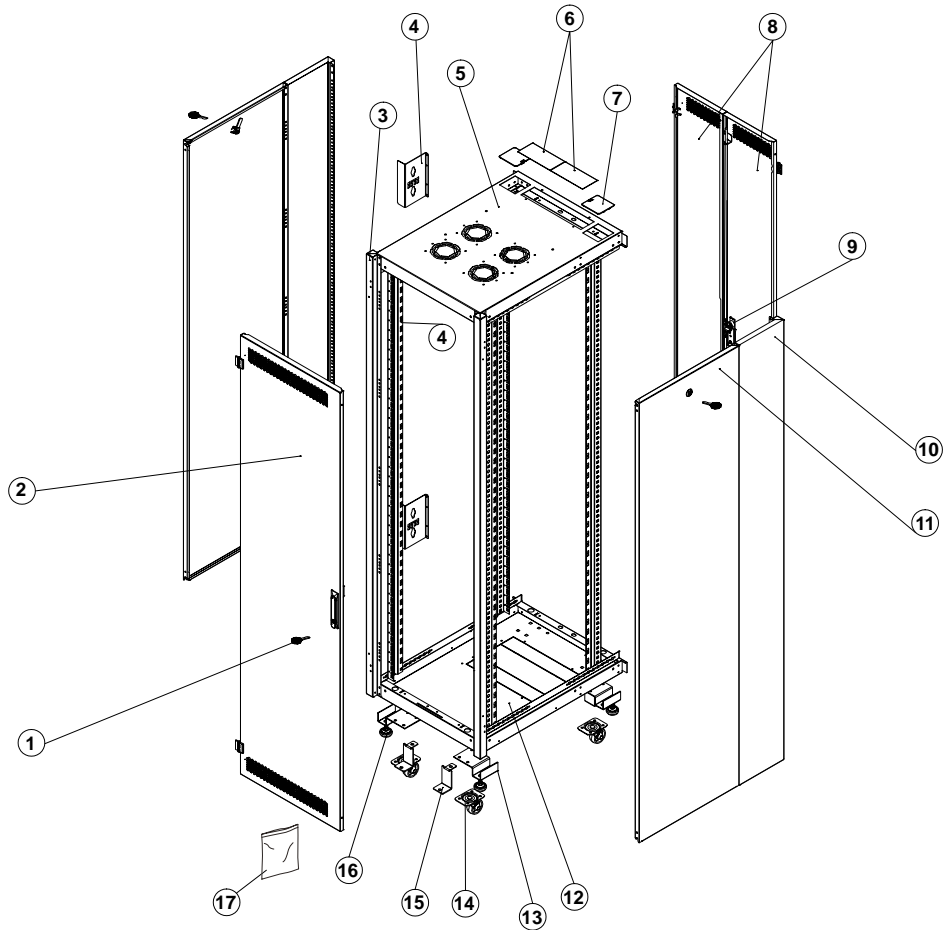


5 Easy of operations

- Leveling legs and castors
- Ease of mounting PDUs



GO Rack components



Item	Description	Item	Description
1	Key	9	Lever Lock
2	Front Door	10	Large Profile Corner
3	Profile Corner	11	Side Panel
4	PDU Connecting Part	12	Cabinet Bottom Panel
5	Roof	13	Caster Profile Part
6	Plastic Cover	14	Caster Set
7	Plastic Cover	15	Pallet Fixing Part
8	Rear Doors	16	Leveling Feet Set
		17	Hardware Bag

Hardware Bag

Plastic Cover (2)	Plastic Cover (2)	M6 x 15 Screw (20)	Cage Nut (20)	Washer (20)

GO Rack selection

GO-series rack with perforated door

The perforated door feature in IT racks is an essential element in various key applications and environments where it becomes the need to enhance air circulation, preventing equipment from overheating and improving overall performance.



Height variations	SKU reference	Width (mm)	Depth (mm)
42U	NR8282-P	800	800
	NR6282-P	600	800
	NR8202-P	800	1000
	NR6202-P	600	1000
36U	NR8682-P	800	800
	NR6682-P	600	800
	NR8602-P	800	1000
	NR6602-P	600	1000
24U	NR8482-P	800	800
	NR6482-P	600	800
	NR8402-P	800	1000
	NR6402-P	600	1000
18U	NR8882-P	800	800
	NR6882-P	600	800
	NR8802-P	800	1000
	NR6802-P	600	1000

GO-series rack with glass door

The glass door feature in IT racks offers a clear view of the equipment inside, allowing easy access and maintenance. This feature is particularly useful for businesses that require passive networking solutions as it eliminates the need for frequent adjustments or replacements of network devices.



Height variations	SKU reference	Width (mm)	Depth (mm)
42U	NR8282-G	800	800
	NR6282-G	600	800
	NR8202-G	800	1000
	NR6202-G	600	1000
36U	NR8682-G	800	800
	NR6682-G	600	800
	NR8602-G	800	1000
	NR6602-G	600	1000
24U	NR8482-G	800	800
	NR6482-G	600	800
	NR8402-G	800	1000
	NR6402-G	600	1000
18U	NR8882-G	800	800
	NR6882-G	600	800
	NR8802-G	800	1000
	NR6802-G	600	1000

GO Rack accessories

Optional accessories can be ordered separately. Accessories include installation hardware.

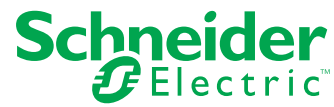


Item	SKU reference	Description
Base Management	NRBMP-6080	Plinth HxWxD =100x600x800mm Modular
	NRBMP-6010	Plinth HxWxD =100x600x1000mm Modular
	NRBMP-8080	Plinth HxWxD =100x800x800mm Modular
	NRBMP-8010	Plinth HxWxD =100x800x1000mm Modular
Hardware	NRCN-M620	M6 Cage Nut Set, 1 Set 20 pcs, screw, nut, washer
Cable Management	NRCMP-1U-BL	1U 19" cable management panel 5 rings RAL 9005 Black
	NRCMP-2U-BL	2U 19" cable management panel 5 metal rings L:63 mm
	NRCMT-42U-ZN	42U Cable Tray Zinc Plated W=100mm
	NRCMT-36U-ZN	36U Cable Tray Zinc Plated W=100mm
	NRCMT-24U-ZN	24U Cable Tray Zinc Plated W=100mm
Airflow Management	NRAFM-4FAN-ONF-FS	4 Fan Module on/off switched Free Standing Type
	NRAFM-4FAN-THM-FS	4 Fan Module Thermostatic controlled Free Standing Type
Other Accessories	NRMB-1U-D800	Fixed Shelf, 19" 1U Metal Bracket, 4 point fixing, Depth:570mm for D=800mm cabinetles, Load Capacity 50 kg Universal Model
	NRMB-1U-D1000	Fixed Shelf, 19" 1U Metal Bracket, 4 point fixing, Depth:740mm for D=1000mm cabinetles, Load Capacity 50 kg Universal Model
	NRSS-4P-D800	Sliding Shelf, 4 point fixing, Depth:570mm for D=800mm cabinets, Load Capacity 30 kg
	NRBP-1U	1U 19" Blank Panel Screw type
	NRBP-3U	3U 19" Blank Panel Screw type

GO Rack from Schneider Electric offers a seamless end-to-end network cabinet solution more simplified, affordable and reliable for telecommunications and local networks applications. They are also perfectly suited for audio visuals equipments, detection and building security systems installations, tertiary and other infrastructures in small, medium or critical buildings and for edge or small offices having specific demands.



Life Is On



Visit to explore:

<https://www.se.com/ww/en/product-range/164977512-go-rack>

Schneider Electric

One Boston Place
Floor 27
Boston, MA 02108
United States
se.com

April 2023